

360° EVO SETUP GUIDE

9

a

b

HINT:
ALLOW GYRO TO SETTLE AFTER
EACH ADJUSTMENT

10

11

INVERTER

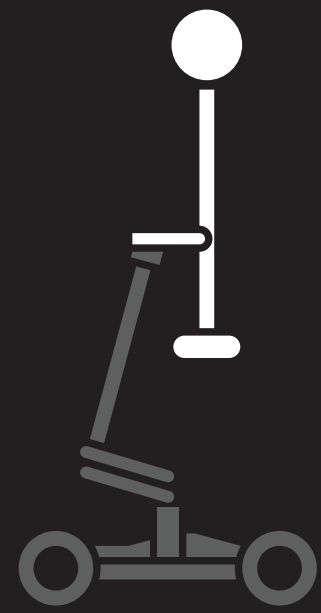
INVERTER

20k-
10k-
0-
RPM

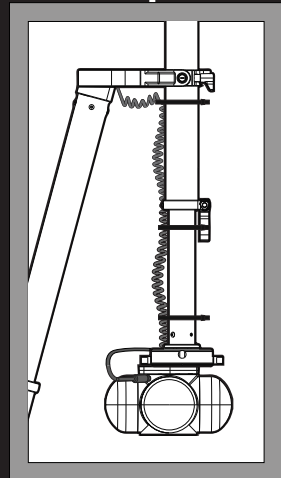
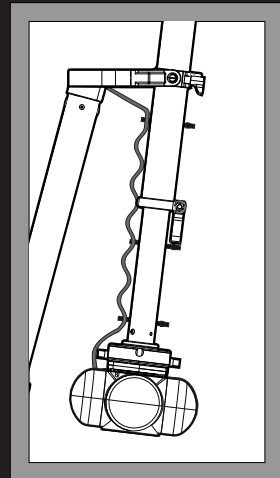
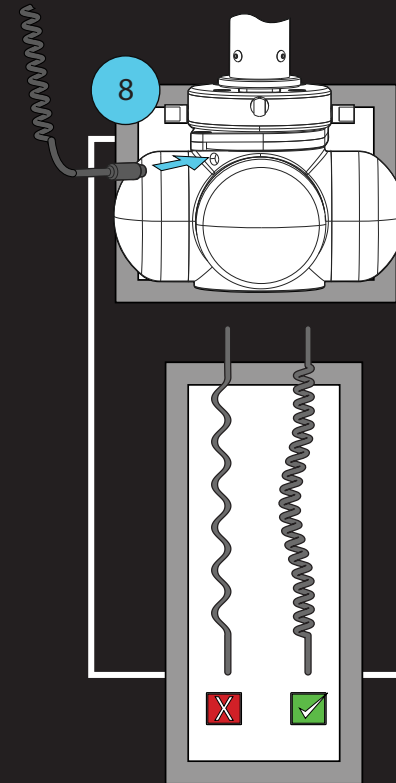
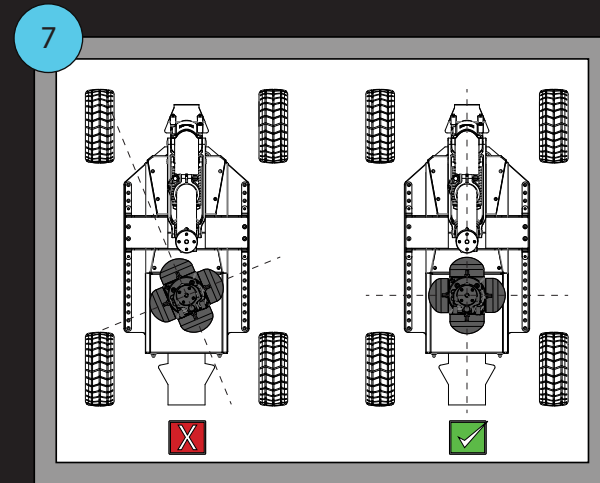
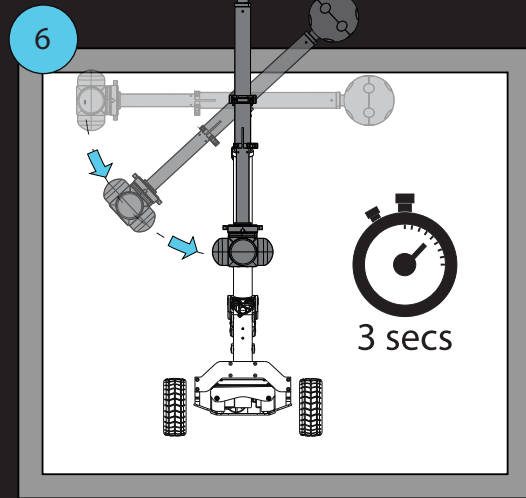
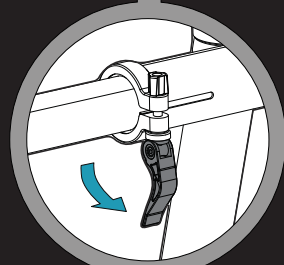
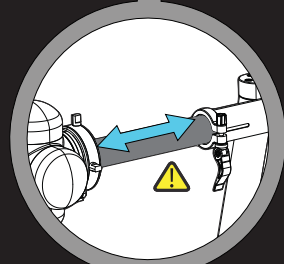
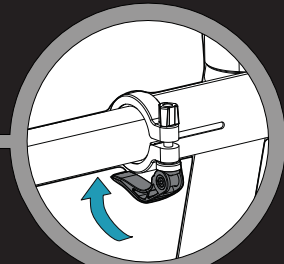
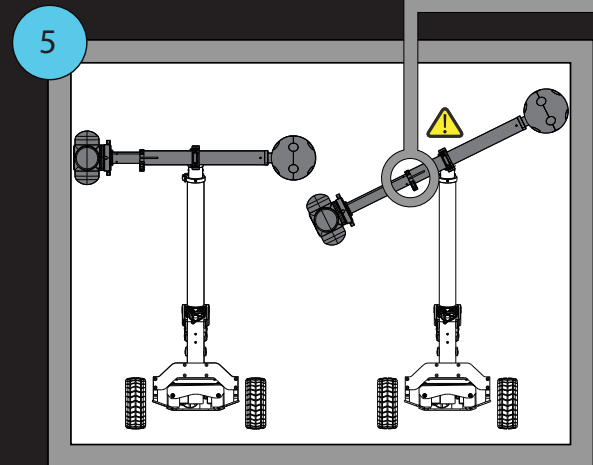
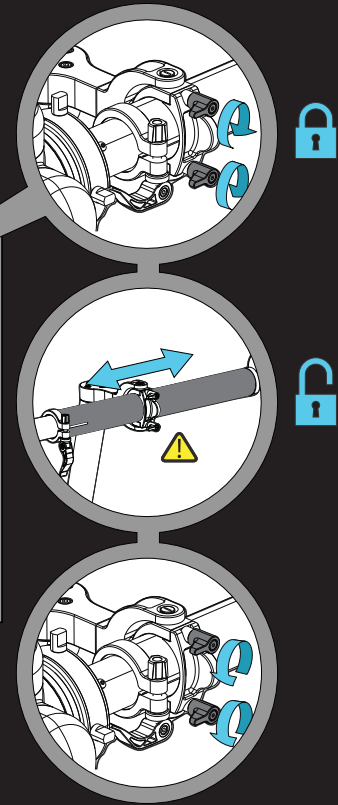
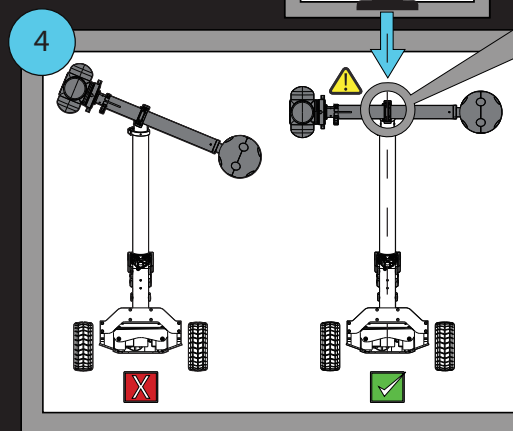
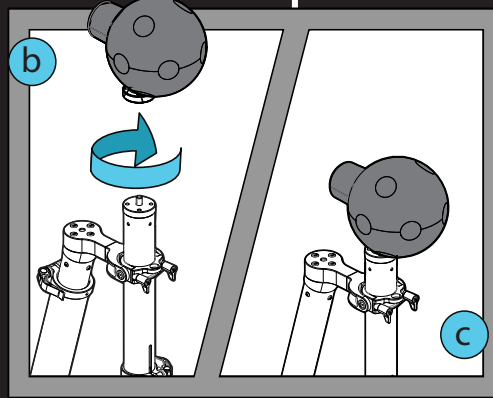
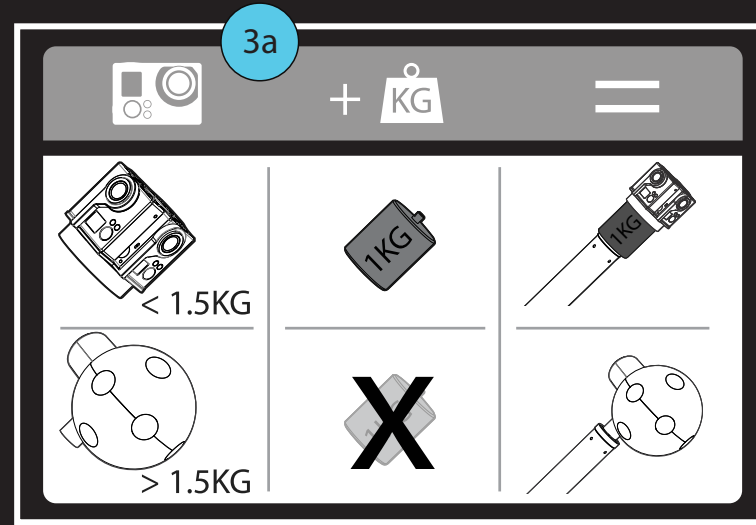
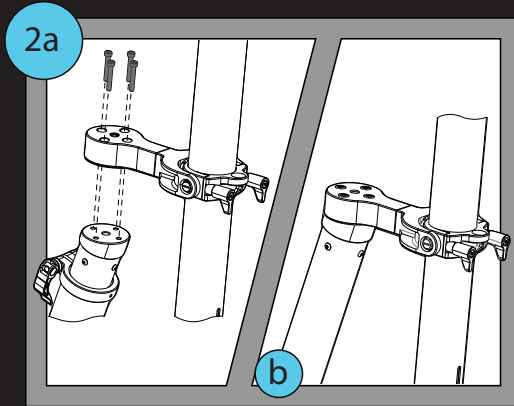
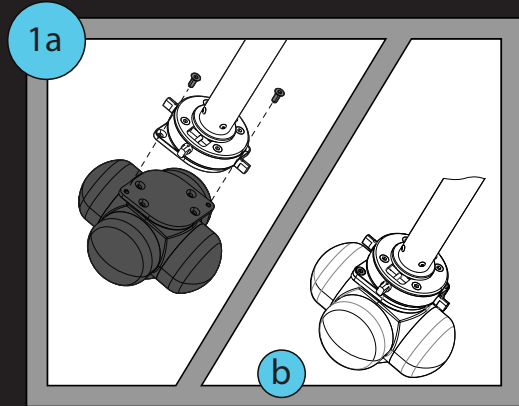
10 mins

! CAUTION:
DO NOT TOUCH GYRO DURING
'WIND-UP' PROCESS

! CAUTION:
GYRO CAN BECOME HOT
DURING OPERATION



EVO 360 SETUP GUIDE



CAUTION:
ALWAYS KEEP HOLD OF BALANCE
POST WHEN ADJUSTING LOCKS